

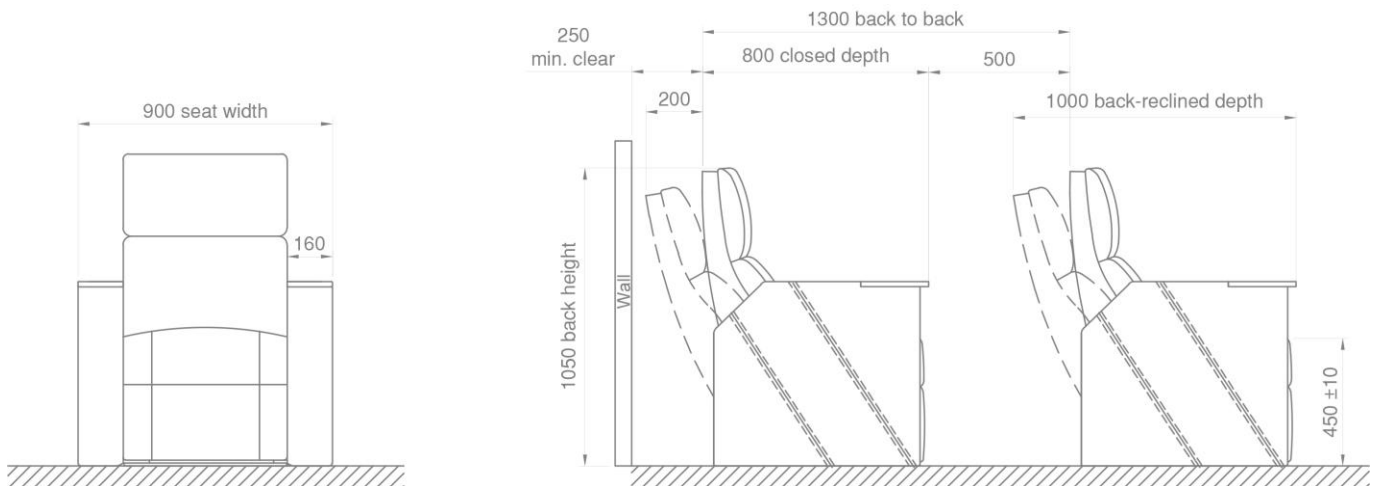
Premium Verona Lite – Single Seat



Summary

The ultimate in cinema seating comfort. Performance, practicality and style are beautifully combined to enhance the cinematic experience and exceed the expectations of even the most demanding movie-goers.

Ideal for small compact spaces, the Verona Lite is a seat with a reclining backrest, offering maximum comfort. It is available in a range of options and finishes.



Premium Verona Lite – Single Seat



DIMENSIONS

- Total seat width : 900
- Backrest Height : 1050
- Closed Depth: 800
- Fully Reclined Depth: 1000
- Seat Height: : 500±10

DESCRIPTION & SPECIFICATION

Structure

- Made up of Mild steel hollow section in various sizes like: 50mm x 25mm x Thk. 3mm.

Backrest and Seat.

- Inner back frame is made of steel structure and wooden frame upholstered with polyurethane HR foam and polyester then, cover with leather.
- Combination of a Wooden Panel frame and a steel frame, upholstered with polyurethane HR foam and polyester then, cover with leather.
- Panel with foam and cover with fabric , it has a cupholder on the front.

Recliner Mechanism

- Electrically motor operated
- Push force (min. to max.): 750N – 6000N
- Pull force (min. to max.): 750N – 4000N
- includes adapter (input: 110V~240V) (output: DC 29V, 1.8A)
- Operating temperature : 0° - 40 °C.
- Compliance with EC 73/023/EWG and EC 89/336/EWG.
- Auto-return function.

Metal / Fabric Finishing

- Zigzag lever systems that ensure the backrest and footrest being operated smoothly and silent proof.
- All metal parts exposed shall be stripped and cleaned with iron phosphate, hot water rinsed and then chromic acid rinsed.
- All metal parts are coated with an epoxy finish of at least 60 microns for outdoor use. Conformity with BS-6496 hardness test.
- Standard fabric : Camira Mainline Plus

Options

- Aisle light and row letter plate.
- Embroidery seat numbering on backrest.
- Logo embroidery.
- Oval row letter plate
- Remote control pocket.
- Headrest cover.
- Twin seat.
- Flammability compliance with BS 5852 : 2006 section 3 ignition source 5.

Advantages

- Comfort especially studied according to fundamental criteria of ergonomic.
- Durability of the chair & after sales service for all spare parts of the model.
- Fast and smooth operation, only require 8 sec. to fully recline the backrest and vice versa.

Fire Safety

- Flammability compliance with California Bulletin 117 and international regulations. In their last issues and particularly with safety regulations.

